

# INSTRUCTION & SAFETY MANUAL



# ASTRA CONSTABLE I & II

INTERARMS

**READ THIS MANUAL CAREFULLY  
BEFORE USING YOUR PISTOL**

# Contents

10 commandments of firearms safety	2
Protect your eyes and ears	3
Notice of liability	3
Technical data	4
Terminology	6
Ammunition	7
Functioning of the safety system	11
To place the safety lever 'ON' when the hammer is cocked	14
Loading	15
Unloading	17
Aiming	17
Firing	19
Transport and storage	23
Care and cleaning	23
To keep your pistol in perfect operating condition	26
Interarms service policy	27
Parts	29

# This manual

The Astra Constable semi-automatic pistol is an ultra-modern design especially adapted for personal defense, shooting sports, police and military use.

Regardless of your familiarity and experience with other firearms, do not assume that it is unnecessary for you to read and understand this manual. The design and function of each firearm is different from others. The basics of safe firearms handling cannot be repeated too often. Read and re-read the basic principles of firearms safety until they are thoroughly understood. If you are unfamiliar with firearms, enroll in a

NRA-approved safety course conducted by a local gun club or other qualified instructor.

Before your pistol left the factory, it was tested, carefully inspected and packaged. Since Interarms cannot control product handling after the firearm leaves the factory, please carefully examine it at the time of purchase to insure that it is unloaded and undamaged. Your dealer will be pleased to assist you in making this examination and will endeavor to answer any questions you may have.

## 10 commandments of firearms safety

- 1** ALWAYS treat every gun as if it were loaded.
- 2** ALWAYS be sure the barrel is clear of any obstruction.
- 3** ALWAYS be sure of your back-stop, what lies beyond and the safety of bystanders before you shoot.
- 4** ALWAYS use clean, dry, original factory-made ammunition of the proper type and caliber for your gun.
- 5** ALWAYS wear shooting glasses and ear protection when shooting.
- 6** ALWAYS carry your gun so that you can control the direction of the muzzle if you fall or stumble.
- 7** ALWAYS leave the safety on until you intend to fire.
- 8** NEVER leave an unattended gun loaded. Guns and ammunition should be stored separately, locked if possible, beyond the reach of children and careless adults.
- 9** NEVER allow your firearm to be used by anyone who has not read this Instruction and Safety Manual.
- 10** NEVER, NEVER—EVER—point any gun, loaded or unloaded, at anything you do not intend to shoot.

## Protect your eyes and ears

Always wear adequate shooting glasses and ear plugs or earmuff type protectors whenever you are shooting. Always make certain that persons close to you are similarly protected.

Without ear protection, repeated exposure to shooting noise may

lead to cumulative permanent hearing loss.

Unprotected eyes may be injured by powder gas, carbon residue, lubricant, metallic particles, or similar debris which may emanate occasionally from any firearm in normal use.

## NOTICE

PISTOLS, REVOLVERS, RIFLES AND SHOTGUNS ARE CLASSIFIED AS FIREARMS OR DANGEROUS WEAPONS and are sold by us with the specific understanding that we are not responsible in any manner whatsoever for their safe handling or resale under local laws and regulations.

INTERARMS shall not be responsible in any manner whatsoever for malfunctioning of the firearm, for physical injury or for property damage resulting in whole or in part from (1) intentional or negligent discharge, (2) improper or careless

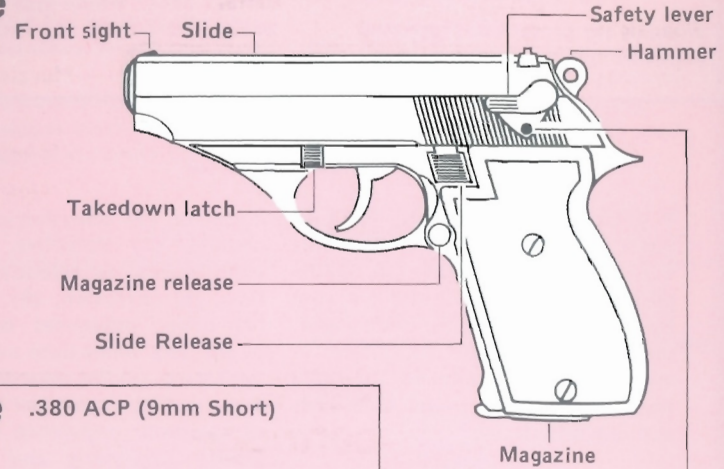
handling, (3) unauthorized modifications, (4) defective, improper, hand-loaded, or reloaded ammunition, (5) corrosion, (6) neglect, or (7) other influences beyond our direct and immediate control. This limitation applies regardless of whether liability is asserted on the basis of contract, negligence or strict liability (including any failure to warn). Under no circumstance shall INTERARMS be liable for incidental or consequential damages, such as loss of use of property, commercial loss and loss of earnings or profits.

# Technical data

Caliber	Overall Length	Overall Height
.22 L.R.	169mm (6 11/15")	118mm (4 6/10")
9mm (.380)	169mm (6 11/15")	118mm (4 6/10")

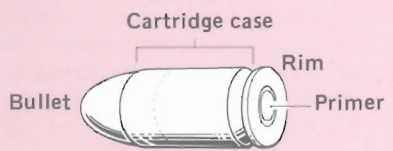
Barrel Length	Weight without ammunition	Magazine capacity
89mm (3 1/2")	680g (23.88 oz.)	10
89mm (3 1/2")	680g (23.88 oz.)	7

## Right side

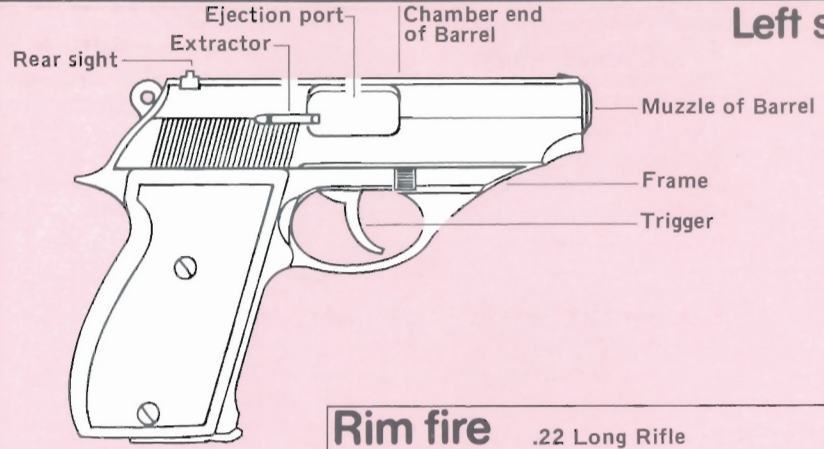


## Centerfire cartridge

.380 ACP (9mm Short)

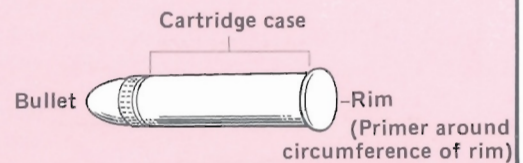


## Left side



## Rim fire cartridge

.22 Long Rifle





## Terminology

The following terms, as used in this manual, mean:

**Slide-** The main top portion of the pistol which encloses the barrel and which moves backward and forward to operate the mechanism.

**Frame-** The main lower body of the pistol upon which the slide reciprocates. The frame includes the grip.

**Barrel-** The cylindrical tube through which the bullet is propelled.

**Bore-** The hole through the barrel.

**Chamber-** The enlarged rear portion of the bore into which a cartridge is seated for firing.

**Muzzle-** The front end of the barrel from which the bullet emerges.

**Magazine-** The box that is inserted into the grip which holds cartridges to be fed into the chamber.

**Ejection Port-** The opening in the slide through which a fired cartridge case (or an unfired cartridge in the chamber) is ejected from the pistol.

## Ammunition

Firearms may be severely damaged and serious injury to the shooter or others may result from any condition causing excessive pressure inside the chamber or barrel during firing. Excessive pressure can be caused by obstructions in the barrel, propellant powder overloads, or by the use of incorrect cartridges or defectively

assembled cartridges. In addition, the use of a dirty, corroded, or damaged cartridge can lead to a burst cartridge case and consequent damage to the firearm and personal injury from the sudden escape of high pressure propellant gas within the firearm's mechanism.

## WARNING

**1** Use only high quality, original factory-manufactured ammunition. Do not use cartridges that are dirty, wet, corroded, bent, or damaged. Do not oil cartridges. Do not spray aerosol-type lubricants, preservatives, or cleaners directly onto cartridges or where excess spray may flow into contact with cartridges. Lubricant or other foreign matter on cartridges can cause potentially dangerous ammunition malfunctions. Use only ammunition of the caliber for which your pistol is chambered. The proper caliber is permanently engraved on your pistol; never attempt to use ammunition of any other caliber.

**2** The use of reloaded, 'remanufactured', handloaded, or other non-standard ammunition voids all warranties. Reloading is a science and improperly loaded ammunition can be extremely dangerous. Severe damage to the firearm and serious injury to the shooter or to others may result. Always use ammunition that complies with the industry performance standards established by the Sporting Arms and Ammunition Manufacturers' Institute, Inc. (SAAMI) of the United States.

Immediately stop shooting and check the barrel for a possible obstruction whenever:

- 1** You have difficulty or feel unusual resistance in chambering a cartridge, or
- 2** A cartridge misfires (does not go off), or
- 3** The mechanism fails to extract a fired cartridge case, or

**4** Unburned grains of propellant powder are discovered spilled in the mechanism, or

**5** A shot sounds weak or abnormal.

In such cases, it is possible that a bullet is lodged part way down the barrel. Firing a subsequent bullet into the obstructed barrel can wreck the firearm and cause serious injury to the shooter or to bystanders.

## WARNING

### IN CASE OF HANGFIRE (DELAYED IGNITION OF CARTRIDGE)

On occasions a cartridge – due to age or other factors – may fail to ignite immediately when struck by the firing pin. If this happens, hold the firearm steady and keep it pointed at the target and wait ten seconds. If a hang-fire has occurred, the cartridge will fire within ten seconds. If the cartridge does not fire, eject it and examine the primer; if the fir-

ing pin indentation on the primer is lighter, off-center or non-existent, unload the firearm and have it examined by a competent gunsmith. If the firing pin indentation on the primer appears normal when compared with similar previously fired rounds, you may assume that the cartridge is faulty.

Bullets can become lodged in the barrel:

**1** If the cartridge has been improperly assembled without propellant powder, or the powder fails to ignite. Ignition of the cartridge primer alone will push the bullet out of the cartridge case, but usually does not generate sufficient energy to expel the bullet completely from the barrel, or

**2** If the bullet is not properly seated tightly in the cartridge case, and if the cartridge is extracted from the chamber without being fired. The bullet may be left behind in the bore at the point where the rifling begins. Subsequent chambering of another cartridge may push the first bullet further into the bore.

## WARNING

If there is any reason to suspect that a bullet is obstructing the barrel, immediately unload the firearm and look THROUGH the bore. It is not sufficient to merely retract the slide and look in the chamber. A bullet may be lodged some distance down the barrel where it cannot easily be seen. If a bullet is in the bore, DO NOT ATTEMPT TO SHOOT IT OUT WITH ANOTHER CARTRIDGE, OR ATTEMPT TO BLOW IT OUT WITH A BLANK CARTRIDGE OR CARTRIDGE FROM

WHICH THE BULLET HAS BEEN REMOVED. SUCH TECHNIQUES CAN GENERATE EXCESSIVE PRESSURE, WRECK THE FIREARM, AND CAUSE SERIOUS PERSONAL INJURY. If the bullet can be removed with a cleaning rod, clean any unburned powder grains from the bore, chamber, and mechanism before resuming shooting. If the bullet cannot be dislodged by tapping it with a cleaning rod, take the firearm to a gunsmith.

Dirt, corrosion, or other foreign matter on a cartridge can impede complete chambering and may cause the cartridge case to burst upon firing. The same is true of cartridges that are damaged or deformed.

Do not oil cartridges, and be sure to wipe the chamber clean of any oil or preservative before commencing to shoot. Oil interferes with the friction between cartridge case and chamber wall that is necessary for safe functioning, and subjects the firearm to

stresses similar to those imposed by excessive pressure.

Use lubricants SPARINGLY on the moving parts of firearms. Avoid excessive spraying of any aerosol gun care product, especially where it may get onto ammunition. All lubricants, and aerosol spray lubricants in particular, can penetrate cartridge primers and cause misfires. Some highly penetrative lubricants can also migrate inside cartridge cases and cause deterioration of the propellant powder; on firing, the powder may not ignite. If only the primer ignites, there is a danger that the bullet may become lodged in the barrel.

## Functioning of the safety system

Your Astra Constable is equipped with an effective, well designed safety. However, you should never rely completely on the safety mechanism of any firearm. It is NOT a substitute for cautious gun handling.

No safety, however positive, can protect against carelessness, improper usage, or horseplay. Similarly, breakage or malfunction from abuse, incorrect assembly, or unauthorized adjustment can defeat ANY mechanical device. The best safety mechanism is your own good sense. Use it!

While handling any firearm, never allow it to point at any part of your body or at another person. Even if an accidental discharge does occur, no harm will result if you obey this rule.

The manual safety of the Astra Constable is a lever on the left side of the slide. It is on when the lever is turned fully down to cover the red dot. It is off when the lever is turned up to the horizontal position and exposes the red dot.



Placing the safety 'ON'

Note: The illustration shows the safety lever at the 'half-way' position. The red dot must be covered for the safety to be fully 'ON'.



When placed on, the safety:

**1** locks the firing pin so that it cannot move forward to strike the primer of a cartridge in the chamber;

**2** shields the rear of the firing pin against contact from the hammer;

**3** safely uncocks the hammer; and

**4** locks the slide closed.

## WARNING

**1** To prevent an accidental discharge, never carry this pistol with a cartridge in the chamber without placing the safety lever 'ON'.

**2** Always keep your finger away from the trigger and point the muzzle in a safe direction when turning the safety lever 'on' or 'off'!

**3** When you apply the safety, be certain to move it fully into position. A red warning dot is located beside the safety and when fully 'on', this red dot should be covered completely. Remember, "half-safe" is NOT safe!

**4** Never use the secondary hammer notch (i.e. the "half-cock") as a safety!

It is not designed to be, or suitable as, a substitute for the manual safety. (Note that only the safety is capable of locking and shielding the firing pin). The secondary hammer notch serves only to reduce the risk of accidental discharge should your thumb slip off the hammer during the cocking or uncocking motions, or in case of internal breakage or malfunction.

To prevent accidents, it is absolutely essential to use the safety lever consistently and correctly!

The Astra Constable is equipped with two additional safety features that work automatically and require no extra operation by the user.

tion of the hammer and hence prevent an accidental discharge.

b. Disconnecter.

a. Secondary hammer notch.

The disconnecter will prevent the pistol from firing more than one shot for each pull of the trigger.

If while cocking the pistol using your thumb, the hammer should inadvertently be released before the fully cocked position is reached, the sear will engage an auxiliary notch in the hammer. This will stop the forward mo-



## To place the safety lever ON when the hammer is cocked

Keep your finger away from the trigger and the muzzle pointed in a safe direction! Push the safety lever downward with your thumb (see arrow). The hammer will drop forward to the uncocked position but

cannot strike the firing pin.

If the hammer is already uncocked, placing the safety 'on' will prevent the hammer from being cocked with either your thumb or the trigger.

## WARNING

**1** Risk of an accident is greatly increased when any pistol, no matter how safely designed, is carried with a cartridge in the chamber. This practice is not recommended and may be justified only in circumstances of clear and present danger, when the pistol may immediately have to be used in self-defense. By far the safest procedure when carrying a loaded pistol is to leave the chamber empty.

**2** If you must carry the pistol with a cartridge in the chamber, always apply the safety to uncock the hammer, and leave the safety 'on'.

**3** Never use the trigger to release the hammer to the uncocked

position. Should your thumb slip accidentally and the hammer snaps down, the pistol may fire: Always use the safety lever to uncock the hammer. This method will cock and shield the firing pin.

Note: Some shooters dislike the hammer being allowed to snap down when using the safety lever. If you prefer the hammer can be eased down as follows:

Hold the pistol in your right hand with your finger off the trigger and the muzzle pointed in a safe direction. Hold the hammer back firmly with your right thumb and use your left hand to turn the safety lever to 'on'. Now ease the hammer down with your right thumb.

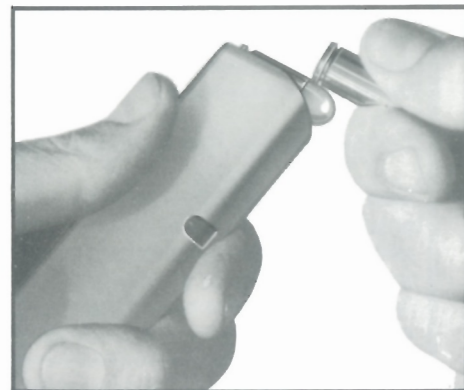
## Loading

### To Remove The Magazine

Using your thumb, press the round magazine release button located behind the trigger and withdraw the magazine.

### To Load The Magazine

Push down the magazine platform with the rim of a cartridge and carefully slide the cartridge beneath the magazine lips. Repeat this process until the magazine is full. In the .22 caliber, a thumb piece is provided



## WARNING

**1** Always keep the muzzle pointed in a safe direction!

**2** Never attempt to load or unload any firearm inside a vehicle, building, or other confined space (except a properly constructed shooting range). Enclosed areas frequently offer no completely safe direction in which to point the firearm; if an accidental discharge

occurs, there is great risk of injury or property damage.

**3** Before loading, always clean all grease and oil from the bore and chamber, and check to be certain that no obstruction is in the barrel. Any foreign matter in the barrel could result in a bulged or burst barrel or other damage to the firearm, and could cause serious injury to the shooter or to others.

on the magazine to aid in depressing the cartridges. Damaged or bent magazine lips will cause malfunctioning. Do not use undue force.

### To Chamber The First Cartridge

Insert the full magazine into the pistol until it is retained by the magazine catch. Grip the pistol with your shooting hand, keeping your finger well away from the trigger and the muzzle pointed in a safe di-

rection. With your other hand grasp the grooved surfaces at the rear of the slide and pull the slide fully to the rear, then release it smartly. The slide will snap forward, stripping the first cartridge from the magazine and loading it into the barrel chamber. The pistol is now cocked and ready to fire. Unless you are going to shoot at once, immediately place the safety 'on'.



## Unloading

Remove the magazine, then pull back the slide smartly to eject any cartridge left in the chamber. Hold the slide rearward and LOOK in the chamber and magazine opening to make sure the pistol is empty.

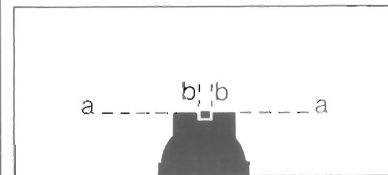
To empty the magazine, push each cartridge forward until it is no longer held by the magazine lips.

## WARNING

- 1 Always keep the muzzle pointed in a safe direction!
- 2 Remember to unload the chamber after removing the magazine.
- 3 Never assume any gun is empty until you have checked it personally.

## Aiming

Hold the pistol at arm's length and align the sights as shown:



Note that the sights should be at an even height (a) across the top, with an equal amount of light (b) showing on either side of the front sight.

If your shots consistently strike to the right or left of the aiming point, you should adjust the sight.

The rear sight can be adjusted for windage (horizontal correction) by turning the screw located on the right side of the sight. Turning the screw clockwise will move the sight

to the left and counter-clockwise will move it to the right. Remember that the sight must be moved in the same direction as you wish to move

the point of impact. For example, if the bullets strike to the right of the aiming point then the point of impact needs to be moved to the left.

## WARNING

**1** Never point any firearm – loaded or unloaded – at anything you do not intend to shoot. Keep the muzzle pointed in a safe direction and keep your finger off the trigger until you are ready to fire.

**2** Always make certain that your backstop is adequate to stop and contain your bullets. Remember,

your bullet can carry for more than one mile. Never shoot at hard surfaces like rock or water as the bullet could ricochet and travel in any direction to strike you or a person or object you cannot see, causing serious injury or property damage.

## Firing

The double-action trigger mechanism of the Astra Constable offers the shooter a choice of two methods to cock the hammer:

### Double-Action

For a quick first shot when fine accuracy is unnecessary, point the

pistol at the target, push the safety lever 'off' with your thumb and take aim. To shoot, simply pull the trigger through the full length of its travel. This movement automatically cocks and drops the hammer in one motion, firing the pistol.





## Single Action

When more deliberate aim is required for the first shot, point the pistol at the target, push the safety lever 'off' with your thumb, then cock the hammer by pulling it fully to the rear with the thumb of your

free hand. Keep your finger away from the trigger while cocking the hammer! Cocking the hammer causes the trigger to retract nearly to its rearmost position. Take aim. To shoot, apply slight pressure to the trigger. This will cause the hammer to drop, firing the pistol.



After the first shot has been fired the pistol functions semi-automatically, utilizing the recoil from each shot to push the slide rearward, extract the fired cartridge case from the chamber and eject it from the pistol through the ejection port. The rearward movement of the slide also cocks the hammer. The forward re-

turn of the slide, under pressure from the recoil spring, strips the next cartridge from the magazine and feeds it into the chamber. The pistol is now ready to fire again. This cycle is repeated each time the trigger is pulled. The slide remains open after the last shot to signal that the magazine is empty.

## WARNING

**1** Never carry about or leave unattended any firearm that is cocked and ready to fire! Accidental firing could result if you fall or drop the firearm, or if the firearm is struck or disturbed by someone or something.

**2** Never fire any pistol with your finger, hand, face, or other part of your body over or adjacent to the ejection port, or in any position where you may be struck by the reciprocating movement of the slide. Failure to heed this warning could result in bodily injury. Both the movement of the slide and the ejection of empty cartridge cases are

part of the normal operating cycle of a pistol and pose no safety hazard to the shooter if the pistol is held in normal grip and fired at arm's length, as intended by its design.

**3** Never allow other persons to stand beside you where they might be struck by an ejected cartridge case. The case is hot and may be ejected with sufficient force to cause a burn or a cut or injure an unprotected eye. Make certain there is a clear, unobstructed path for safe ejection of the fired case. Remember, the case may bounce off a hard object nearby and strike you or another person.



If shooting is not to be continued, remove the empty magazine. Look in the chamber to make certain it is empty. Then, holding the rear of the slide with your left hand, pull down the slide release with your right thumb and let the slide close

gently. Uncock the hammer by placing the safety 'on'. If shooting is temporarily discontinued with some cartridges remaining in the pistol, always immediately place the safety 'on' until shooting is resumed.

## WARNING

**1** While shooting, should your firearm develop a mechanical malfunction or binding or "spit" powder gas, or if a cartridge primer is punctured or a cartridge case is bulged or ruptured, or if the report on firing does not sound quite right, **STOP SHOOTING IMMEDIATELY-UNLOAD THE FIREARM.** Do NOT try 'just one more shot'. Take the firearm **AND THE AMMUNITION** to a gunsmith for examination.

**2** Do not assume that the pistol is empty merely because the slide

remains open. An unfired cartridge or fired cartridge case jammed between the slide and barrel can prevent the slide from closing. Always look in the chamber to make sure!

**3** Should a jam occur, clear it as follows: While keeping the muzzle pointed in a safe direction remove the magazine. Pull back the slide and lock it to the rear by pushing up the slide release. The jammed cartridge or case can now be removed by shaking the pistol or by picking it out with your fingers.

## Transport and storage

When transporting your firearm to and from shooting activities, keep it unloaded for your safety and for the safety of others.

When storing your firearm keep it separated from ammunition, under lock and key if possible, and out of the reach of children and other inexperienced or unauthorized persons.

## Care and cleaning

Your Astra Constable is delivered factory-packaged and preserved with a light coating of protective grease and oils. Before loading make certain that all packing grease and oil has been cleaned from the bore and exposed mechanism.

## WARNING

Before you begin to disassemble your pistol, always double-check to make sure it is unloaded.

After cleaning always check to be sure that no cleaning patch or other obstruction remains in the bore or chamber!

# Disassembly

The Astra Constable can be dismantled for cleaning in a few seconds without tools.

Remove the magazine. Make sure that the chamber is empty. Cock the

hammer. With your left hand pull down the take-down latch located in front of the trigger, and with your right hand pull the slide fully to the rear.



Lift up the rear of the slide and allow it to move forward to clear the front of the barrel. The recoil spring may now be removed. Never allow the hammer to drop forward onto the frame while in this dismantled condition as damage to the pistol may result. Further disassembly is not

required and should not be attempted except by a skilled technician.

Reassemble in reverse order. When replacing the spring, the smaller diameter end goes around the barrel.



## To keep your pistol in perfect operating condition

**1** After dismantling, clean the barrel and chamber thoroughly with bore solvent, using a bronze brush if necessary. Dry and oil lightly.

**2** Use a small brush, cotton swabs, or a cloth patch soaked with solvent to clean all exposed internal surfaces. Pay particular attention to the bolt face (where the firing pin protrudes to strike the cartridge primer) and under the extractor hook. A sharpened wooden stick is useful to remove carbon deposits lodged in corners without scratching the finish.

**3** Lubricate sparingly moving parts with a light, high quality gun oil. Be sure to include the contact points between the slide and frame. Wipe off any excess oil.

**4** After reassembly, wipe the exterior of the pistol with a cloth moistened with a light gun oil. This will remove finger marks and prevent rust.

**5** Before next using your pistol, wipe all oil from the bore and chamber. Remember, the bore and chamber must be free of oil before firing.

## Interarms service policy

Before shipment every Astra Constable is carefully inspected and test fired in order to ensure that it conforms to our specifications and standards. Should your firearm require adjustment, repair or refinishing, we strongly recommend that it be returned to INTERARMS for factory service.

If there is any question regarding the performance of your firearm, please write to our Service Department fully describing all circumstances and conditions involved. Should our Service Department make the determination that your firearm requires factory service, you will be so advised and will be given instructions for the most expeditious handling of your shipment.

Our Service Department will give your firearm a complete inspection, and evaluate the problem(s) specified in your letter. If the work required is not covered under the terms of our Limited Warranty (a copy of which is enclosed with your firearm), you will receive an actual cost quotation, not an estimate. Any

repair work must be authorized by you, and no work will be done without your express approval.

**1** Only Federally licensed dealers may ship handguns through the U.S. Mail. Handguns mailed by individuals are confiscated by the Post Office.

**2** Federal law permits you to return your firearm to the manufacturer for service via common carrier such as United Parcel Service (UPS). However, State and local firearms laws vary greatly. Therefore you should consult your local prosecuting attorney regarding any restrictive laws in your jurisdiction regarding your shipment or receipt of firearms. With the above in mind, it is strongly recommended that any firearm sent to INTERARMS for repair be sent through a Federally licensed dealer.

**3** All firearms must be shipped to us prepaid. WE WILL NOT ACCEPT COLLECT SHIPMENTS.

**4** Firearms returned for repair should be addressed to: Interarms Service Department, 10 Prince Street, Alexandria, Virginia 22313.

**5** Be sure to enclose a letter stating the serial number and caliber of your pistol. Also state the nature of the trouble experienced or the work required. Merely stating 'defective' or 'repair as necessary' is inadequate information. Be specific and enclose copies of any previous correspondence. Work performed (other than warranty repair) will bear a minimum labor charge of \$10.

**6** Firearms must be shipped unloaded. Double-check the chamber of your firearm before shipping. If firearms are sent to Interarms in a loaded condition, we are required by law to notify the Federal authorities.

**7** Do not include telescopic sights, custom grips, holsters, belts, or other accessories with any firearm shipped to us.

## Parts

This exploded view and parts list is provided primarily as a guide in "troubleshooting" possible malfunctions. Our Service Department maintains a full complement of replacement parts. Even though most gunsmiths have the knowledge, training and ability to make the necessary repairs to your firearm, the skill and workmanship of any gunsmith is

totally beyond our control. Should your firearm ever require service, we strongly recommend that you return it to INTERARMS. Follow the instructions outlined on page 29. Remember, unauthorized adjustment or parts replacement can void your warranty.

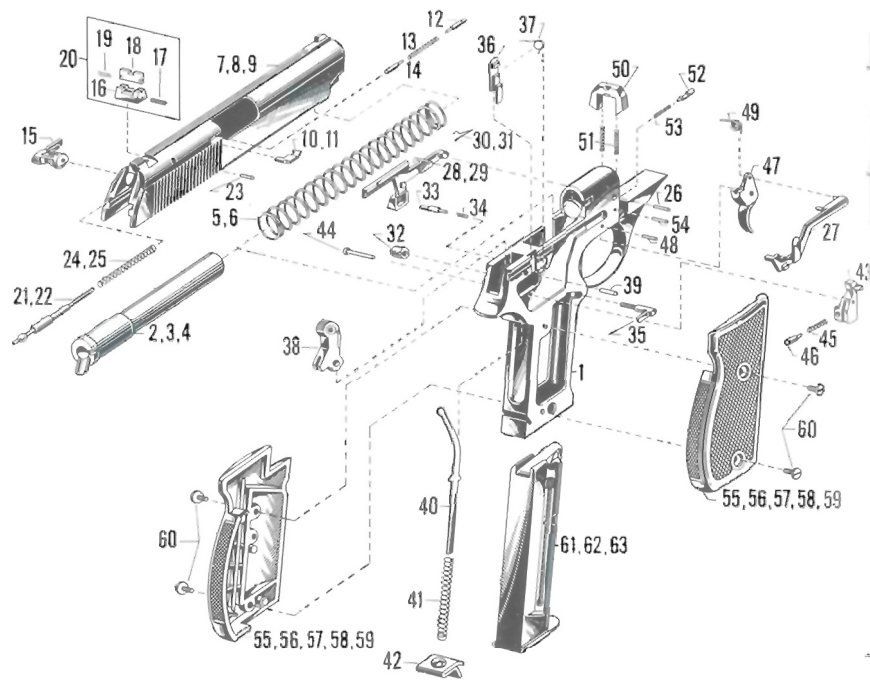
## WARNING

It is the responsibility of the purchaser to be absolutely certain that any parts ordered from the factory are of the correct type and are properly fitted and installed by a competent person. This firearm is a precision mechanism and the improper fitting of parts or improper mechanical adjustment may result in a dan-

gerous malfunction, damage to the firearm, and possible serious injury to the shooter or to others. Therefore, the purchaser and/or installer of parts must accept full responsibility for the correct adjustment of and function of the firearm after such installation has been made or attempted.

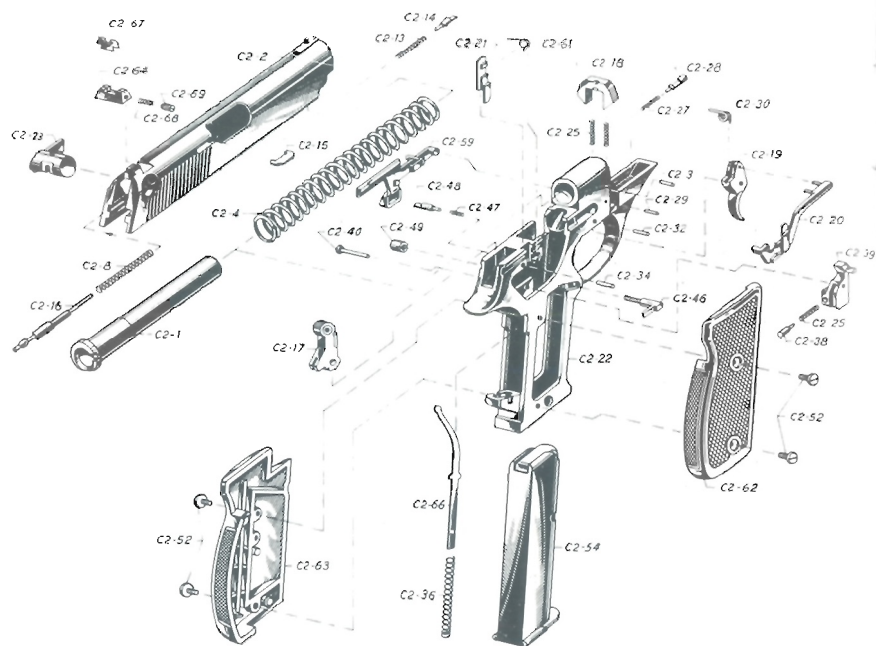


# Constable I



- 1 Frame
- 2 Barrel .380
- 3 Barrel .32
- 4 Barrel .22
- 5 Recoil Spring, .32 & .380
- 6 Recoil Spring .22
- 7 Slide, .380
- 8 Slide, .32
- 9 Slide, .22
- 10 Extractor, .32 & .380
- 11 Extractor, .22
- 12 Extractor Pin
- 13 Extractor Spring
- 14 Safety Detent
- 15 Thumb Safety
- 16 Rear Sight Base, adj.
- 17 Rear Sight Windage Screw
- 18 Rear Sight Leaf
- 19 Rear Sight Windage Spring
- 20 Rear Sight Assembly, adj.
- 21 Firing Pin, .32 & .380
- 22 Firing Pin, .22
- 23 Firing Pin Retainer
- 24 Firing Pin Spring, .32 & .380
- 25 Firing Pin Spring, .22
- 26 Barrel Retainer Pin
- 27 Trigger Bar
- 28 Ejector Slide Stop, .32 & .380
- 29 Ejector Slide Stop .22
- 30 Ejector Slide Stop Spring, .32 & .380
- 31 Ejector Slide Stop Spring, .22
- 32 Magazine Button
- 33 Magazine Catch Plunger
- 34 Magazine Catch Spring
- 35 Magazine Catch
- 36 Disconnecter
- 37 Disconnecter Spring
- 38 Hammer
- 39 Hammer Pin
- 40 Main Spring Guide
- 41 Main Spring
- 42 Main Spring Retainer
- 43 Sear
- 44 Sear Pin
- 45 Sear Spring
- 46 Sear Plunger
- 47 Trigger
- 48 Trigger Pin
- 49 Trigger Spring
- 50 Disassembly Latch
- 51 Disassembly Latch Spring
- 52 Disassembly Latch Plunger
- 53 Disassembly Latch Plunger Spring
- 54 Disassembly Latch Pin
- 55 Grips, Black Plastic, (2 screw)
- 56 Grips, Black Plastic, (4 screw)
- 57 Grips, White Plastic, (2 screw)
- 58 Grips, White Plastic, (4 screw)
- 59 Grips, Wood (4 screw-only)
- 60 Grip Screw
- 61 Magazine, .380
- 62 Magazine, .32
- 63 Magazine, .22

# Constable II



- C2-1 Barrel
- C2-2 Slide
- C2-3 Barrel pin
- C2-4 Recoil spring
- C2-8 Firing pin spring
- C2-13 Extractor spring
- C2-14 Extractor retainer
- C2-15 Extractor
- C2-16 Firing pin
- C2-17 Hammer
- C2-18 Takedown yoke
- C2-19 Trigger
- C2-20 Sear bar
- C2-21 Disconnecter
- C2-22 Frame
- C2-23 Thumb safety
- C2-25 Sear spring and takedown yoke spring
- C2-27 Takedown plunger spring
- C2-28 Takedown plunger
- C2-29 Takedown plunger pin
- C2-30 Trigger spring
- C2-32 Trigger pin
- C2-34 Hammer pin
- C2-36 Main spring
- C2-38 Sear plunger
- C2-39 Sear
- C2-40 Sear pin
- C2-46 Magazine catch
- C2-47 Magazine catch spring
- C2-48 Magazine button plunger
- C2-49 Magazine catch button
- C2-52 Grips screws
- C2-54 Magazine complete
- C2-59 Slide retainer
- C2-61 Disconnecter spring
- C2-62 Right grip
- C2-63 Left grip
- C2-64 Rear sight
- C2-66 Hammer strut
- C2-67 Sight slide
- C2-68 Sight slide spring
- C2-69 Windage screw

**IMPORTANT – DO NOT DISCARD  
KEEP THIS MANUAL WITH YOUR PISTOL  
UPON CHANGE OF OWNERSHIP TRANSFER  
THIS MANUAL WITH THE PISTOL**