

OPERATIONS MANUAL

Mark - 059
REVOLVER

MADE IN USA



ARMS CORPORATION of AMERICA
Post Office Box No. 8889, Nashville, Tennessee, 37211

DESCRIPTION

The Mark - 059 is a double action revolver capable of firing short-long, and long rifle .22 caliber rimfire cartridges. This revolver has a seven shot capacity and drop out cylinder and is available in either the 2-inch or 3-inch barrel length.

TO LOAD

Unscrew cylinder rod in a clockwise motion about 1½ turns and pull it from the Revolver. The cylinder will then drop into your hand. Insert short-long, or long rifle .22 caliber cartridges and replace in the frame. Next re-insert the cylinder rod, turning in a counter clockwise motion until all threads are engaged tightly. Insertion of the cylinder rod may be more easily accomplished by slightly pulling the trigger while it is being inserted through the cylinder.

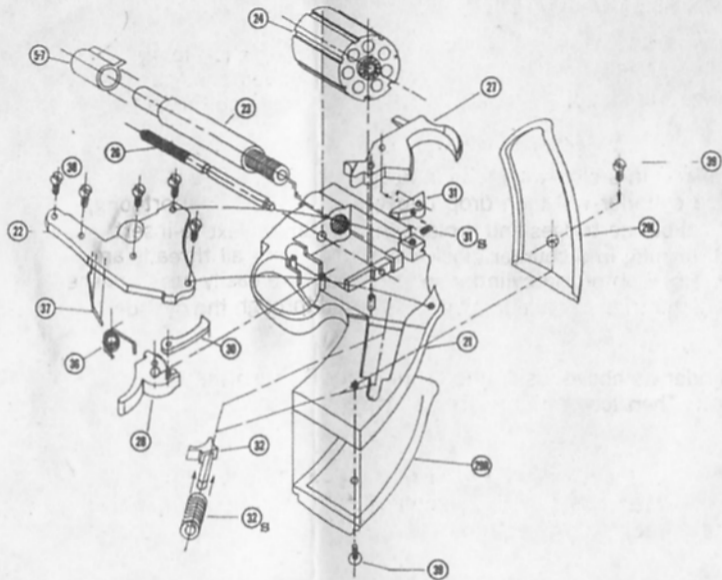
TO UNLOAD

Remove the cylinder as above, using the cylinder rod to push the spent cartridges from it. Then load and replace as instructed above.

IMPORTANT

As a safety precaution, when carrying the Mark - 059 the chamber on which the firing hammer rests should be kept empty. Store guns and ammunition in different places. Keep out of reach of children.

NOTE: For safety precaution, the Mark - 059 is equipped with a #22HD (Heavy Duty) Spring.



Mark - 059
Revolver Parts

- 5-7 Front Sight
- 21 Frame Assembly
- 22 Side Plate
4-40X $\frac{1}{4}$ -5 Screws Req.
- 23 Barrel
- 24 Cylinder
- 26 Cylinder Rod
- 27 Hammer Assembly
- 28 Trigger Assembly
- 29L Grip
- 29R Grip
6-32X $\frac{1}{8}$ -2 Screws Req.
- 30 Index Pawl
- 31 Hammer Pawl
- 31S Hammer Pawl Spring
- 32 Hammer Rod
- 32S Hammer Rod Spring
- 36 Trigger Torsion Spring
- 37 Index Pawl Spring
- 38 Side Plate Screw
- 39 Grip Screw

THE ARMSCO MODEL 059 REVOLVER

The Mark - 059 is treated with a special metal preservative which may produce a white powdery substance. It may be removed easily by wiping your gun with a soft cloth, thereby returning the original luster.

GUARANTEE

The Mark - 059 is Guaranteed for a period of two years against faulty workmanship and parts breakage through normal use.

Property of: _____

Address: _____

Model #: _____

Serial #: _____

Date Purchased: _____

Purchased From: _____