

# AMT Instruction Manual



## **.45 ACP BACKUP DOUBLE ACTION ONLY**

### WARRANTY STATEMENT

BASED ON THE MAGNUSON, MOSS WARRANTY ACT, **AMT** offers no expressed warranty on its product line. **AMT** does recognize its obligation concerning implied warranty. **AMT** will continue to stand behind its products as it has in the past. **AMT** products will be serviced for a period of one year from date of retail purchase, for defects of material or workmanship, at no charge to the purchaser. Be sure to retain your sales slip as proof of purchase date when making a claim.



THIS INSTRUCTION MANUAL SHOULD ALWAYS ACCOMPANY THIS FIREARM  
AND BE TRANSFERRED UPON CHANGE OF OWNERSHIP  
OR WHEN THE FIREARM IS LOANED OR PRESENTED TO ANOTHER PERSON.

**ARCADIA MACHINE & TOOL, INC., 6226 Santos Diaz St., Irwindale, CA 91702**

# **.45 ACP BACKUP DOUBLE ACTION ONLY**

## **STATEMENT OF NON LIABILITY**

### **WARNING:**

This pistol is classified as a dangerous weapon and is surrendered by **AMT** with the understanding that the purchaser assumes all liability resulting from unsafe handling or any action that constitutes a violation of any applicable laws or regulations. **AMT** shall not be liable for personal injury or loss of property or life resulting from the use of this pistol under any circumstances, including intentional, reckless, negligent or accidental discharge.

Further, **AMT** will not be liable for any alterations to the pistol or any parts thereof. **AMT** will not condone or authorize any changes to be made after the pistol has left the factory. If your **AMT** pistol is in need of service or adjustment, follow the instructions in this manual under the section marked "SERVICE."

Please read the warnings in this manual carefully. Be sure you understand the functions of this pistol before loading and firing it. Carefully read the "SAFETY" section of this manual. Exercise safe handling of this pistol at all times.

### **PLEASE BE CAREFUL!**

**WARNING: NEVER USE AMMUNITION WHERE THE PRESSURE LEVELS EXCEED INDUSTRY STANDARDS. THE USE OF RELOADED AMMUNITION WILL VOID THE WARRANTY AND INJURY MAY VERY WELL RESULT.**

### **USE ONLY FACTORY AMMUNITION**

***NOTE ON AMMUNITION AND MAGAZINES:*** Today there exists a wide range of .45 ACP ammunition from which to choose. Some brands vary greatly in dimensions and bullet configurations. Your **AMT** .45 ACP Backup Double Action Only (D.A.O.) is designed to function with hardball ammo. Use only new .45 ACP caliber ammunition manufactured by a reputable and established company. **DO NOT USE RELOADED AMMUNITION.**

Wear Safety Glasses and Ear Protection at all times when shooting

## THE BASIC RULES OF SAFE FIREARMS HANDLING

- 1. LEARN THE MECHANICAL AND HANDLING CHARACTERISTICS OF THE FIREARM YOU ARE USING.** Not all firearms are the same. The method of carrying and handling firearms varies in accordance with the mechanical provisions for avoiding accidental firing and the various proper procedures for loading and unloading. Do not handle any firearm without first having thoroughly familiarized yourself with the particular type of firearm you are using and with safe gun handling procedures in general.
- 2. ALWAYS KEEP THE FIREARM POINTED IN A SAFE DIRECTION.** A safe direction means a direction which will not permit a discharged bullet to strike a person, or to strike an object from which the bullet may ricochet. A safe direction must take into account the fact that a bullet may penetrate a wall, ceiling, floor, window, etc., and strike a person or damage property. Be sure of a safe bullet stop behind your target even when operating the firearm without ammunition (dry-firing). Never let the muzzle of a firearm point at any part of your body or at another person. This is particularly important when loading or unloading a firearm. In the event of accidental firing, no injury can occur as long as the muzzle is pointing in a safe direction.
- 3. NEVER PLACE YOUR FINGER ON THE TRIGGER UNLESS YOU ARE READY TO SHOOT.** Make it a habit to know exactly where the muzzle of your gun is pointing whenever you handle it and be sure that you are always in control of the direction in which the muzzle is pointing even if you fall or stumble. When receiving or handling a firearm, always point the muzzle in a safe direction, open the action, and check the chamber to ensure the firearm is not loaded even if you have just watched others check that firearm. When operating a firearm's safety, point the muzzle in a safe direction and do not place your finger on the trigger.
- 4. ENSURE FIREARMS ARE UNLOADED WHEN NOT IN USE.** Load your firearm only when you are in the field or on the target range or shooting area, ready to shoot. Lock firearms and ammunition securely in racks or cabinets when not in use. Store ammunition safely, separate from firearms. Store your firearms out of sight of visitors and out of sight and reach of children. The gun owner is responsible for ensuring that children and persons unfamiliar with firearms cannot gain access to firearms or ammunition.
- 5. BE SURE THE BARREL IS CLEAR OF OBSTRUCTIONS BEFORE SHOOTING.** Even a bit of mud, snow, or excess lubricating oil or grease in the bore may cause the barrel to bulge, or even burst on firing, and can cause injury to the shooter and bystanders. If you are not sure the barrel is clear, do not shoot the firearm. Be sure that you are using ammunition of the proper caliber and loading for the gun you are using. Improper ammunition can cause blockage or bursting of the firearm's barrel. If the report (sound of firing) or recoil on firing seems weak or doesn't seem quite right -- CEASE FIRING IMMEDIATELY -- and check to be sure that nothing has become lodged in the barrel.

Wear Safety Glasses and Ear Protection at all times when shooting

## THE BASIC RULES OF SAFE FIREARMS HANDLING (CONTINUED)

- 6. BE SURE OF YOUR TARGET BEFORE YOU SHOOT.** Don't shoot unless you know exactly where your bullet is going to strike. Don't point the firearm at anything you do not wish to shoot. Be sure of a safe bullet stop behind your target even when dry-firing with an unloaded gun. If you are in the field hunting, do not fire at a movement or noise. Take the time to be absolutely certain of your target visually before you pull the trigger. Handle all firearms as if they were loaded and ready to fire. Disengage the firearm's safety only when the firearm is pointed in a safe direction and you are ready to shoot.
- 7. DO NOT CARRY FIREARMS WITH AMMUNITION IN THE CHAMBER.** A firearm with a round in the chamber is ready to fire and may be caused to fire by unforeseen events. Never rely on any safety device to prevent a firearm from discharging.
- 8. WEAR SHOOTING GLASSES AND HEARING PROTECTORS WHEN YOU SHOOT.** All shooters should wear protective shooting glasses and some form of hearing protectors when shooting or in the company of shooters. Exposure to shooting noise can damage hearing. Adequate vision protection when shooting is essential. Normal prescription eyeglasses and commercial sunglasses do not provide adequate protection.
- 9. NEVER CLIMB A TREE OR FENCE WITH A LOADED FIREARM.** Put the firearm in a secure holster before climbing a fence. Unload the firearm before climbing or descending a tree or jumping over a ditch or other obstruction. Never pull or push a loaded firearm toward yourself or another person. When in doubt, unload your gun!
- 10. DON'T SHOOT AT A HARD SURFACE, OR AT WATER.** Bullets can ricochet off many surfaces like rocks or the surface of water and travel in unpredictable directions with damaging or lethal velocity.
- 11. NEVER TRANSPORT A LOADED FIREARM.** Always unload firearms before placing them in a vehicle. A suitable carrying case or holster should be used to carry a firearm to and from the shooting areas.
- 12. DO NOT CONSUME ALCOHOLIC BEVERAGES WHEN SHOOTING.** Handling firearms while under the influence of alcohol, medication, or mind altering substances in any form constitutes a criminal disregard for the safety of others.

Wear Safety Glasses and Ear Protection at all times when shooting

## SAFETY

The **AMT** BACKUP D.A.O pistol has no external safeties to provide security against accidental discharge. Therefore, as is the case in all firearms, the BACKUP D.A.O. pistol must be used with the strictest attention to the basic rules of firearms safety.

1. **NEVER PLACE YOUR FINGER ON THE TRIGGER UNLESS YOU ARE READY TO SHOOT.**
2. **ALWAYS KEEP THE FIREARM POINTED IN A SAFE DIRECTION.** A safe direction means a direction which will not permit a discharged bullet to strike a person, or to strike an object from which the bullet may ricochet. Never let the muzzle of a firearm point at any part of your body or at another person. This is particularly important when loading or unloading a firearm. A safe direction must take into account the fact that a bullet may penetrate a wall, ceiling, floor, window, etc., and strike a person or damage property. Be sure of a safe bullet stop behind your target even when operating the firearm without ammunition (dry-firing). In the event of accidental firing, no injury can occur as long as the muzzle is pointing in a safe direction.
3. **UNLOAD FIREARMS WHEN THEY ARE NOT IN USE.** Load your firearm only when you are in the field or on the target range or shooting area, ready to shoot. Lock firearms and ammunition securely in racks or cabinets when not in use. Store ammunition safely, separate from firearms. Store your firearms out of sight of visitors and out of sight and reach of children. The gun owner is responsible for ensuring that children and persons unfamiliar with firearms cannot gain access to firearms or ammunition.
4. **DO NOT CARRY THE BACKUP D.A.O. PISTOL WITH AMMUNITION IN THE CHAMBER.** Use extreme caution when carrying the BACKUP D.A.O. pistol.
5. **DON'T USE RELOADED OR QUESTIONABLE AMMUNITION.** Use only new .45 ACP caliber ammunition manufactured by a reputable and established company. Reloaded and surplus-market ammunition may exceed the industry pressure level standards for .45 ACP caliber ammunition.
6. **KEEP YOUR FINGER OFF THE TRIGGER UNTIL YOU ARE READY TO SHOOT.** The BACKUP D.A.O. fires every time the trigger is pulled. The BACKUP D.A.O. will fire WITH or WITHOUT a magazine in place. Removing the magazine does not remove a chambered round of ammunition.
7. **DO NOT ALTER OR MODIFY THE BACKUP D.A.O. PISTOL.** If the firearm fails to fire, handle the pistol with extreme caution. Wear safety glasses and hearing protection when using the BACKUP D.A.O. pistol. Refer to SERVICE in this instruction manual.

Wear Safety Glasses and Ear Protection at all times when shooting

8. **NEVER LEAVE A LOADED FIREARM UNATTENDED.** Always store the BACKUP D.A.O. pistol, unloaded, in a safe and secure location away from children. All ammunition should be stored in a separate secure location.

9. **DO NOT CONSUME ALCOHOLIC BEVERAGES WHEN SHOOTING.** Handling firearms while under the influence of alcohol, medication, or mind altering substances in any form constitutes a criminal disregard for the safety of others.

## SERVICE

Prior to shipment, each BACKUP D.A.O. pistol is inspected and tested to ensure that it is in proper operating condition. Should your BACKUP D.A.O. pistol require adjustment, repair or refinishing, we recommend that the pistol be returned to the **FACTORY SERVICE DEPARTMENT!** There is no other way to be sure that work is performed in a properly equipped and staffed facility. Failure to use the factory services will result in voiding your warranty.

Except for guns still under warranty, all work will bear a net minimum charge of \$15.00. All pistols returned are to be sent unloaded and prepaid. **ALL COLLECT SHIPMENTS WILL BE REFUSED.** Parts replaced during repair will not be returned to you.

Always enclose a cover letter with the pistol furnishing serial number, model of pistol, and the nature of the problem or work desired. A statement that the pistol is "defective" is not adequate and will only result in unnecessary delays. **BE SPECIFIC!**

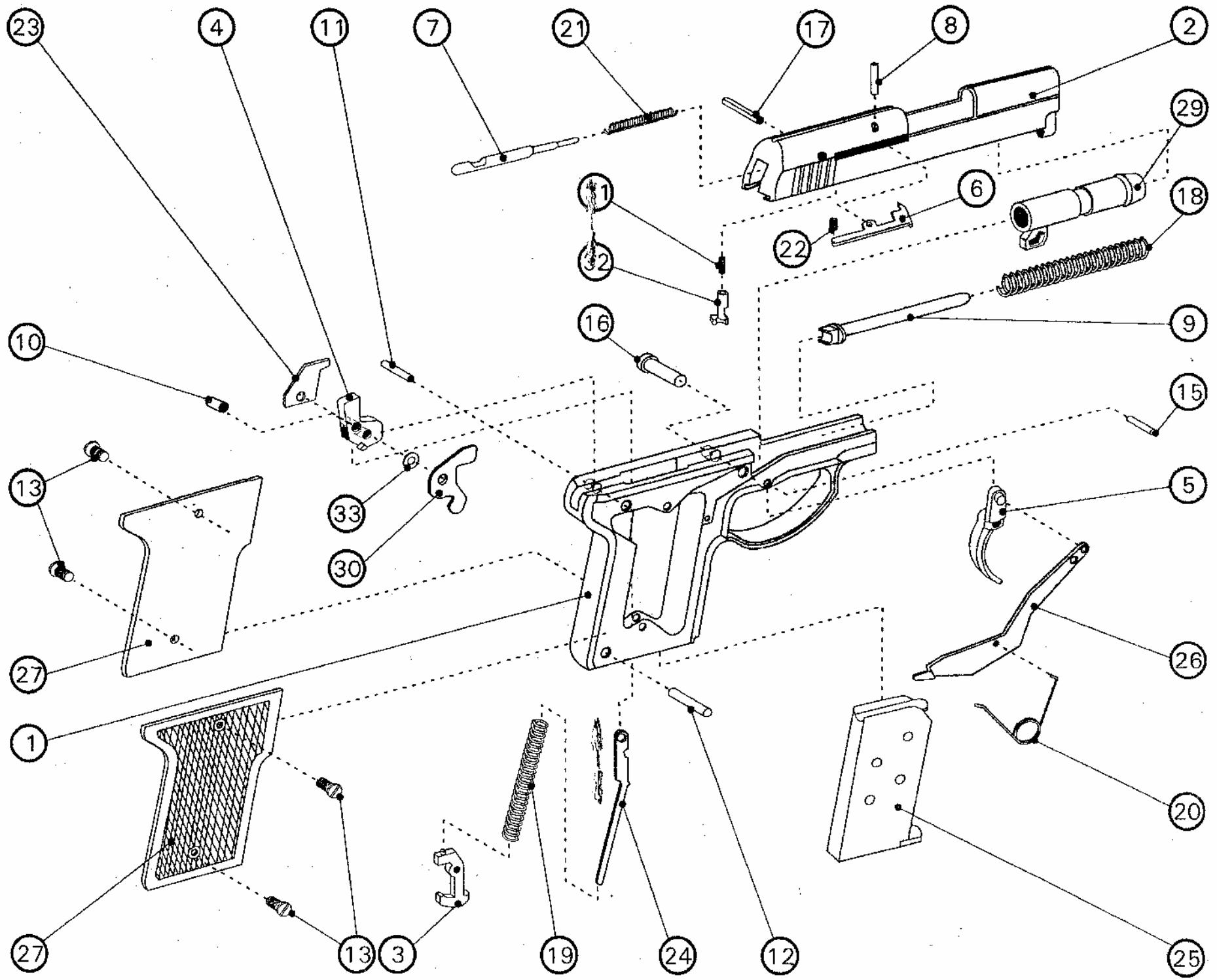
Federal regulations control the shipment of firearms. Check your local regulations before shipment. It may be impossible for the factory to return a pistol directly to you. We recommend that all firearms be sent through a federally licensed firearms dealer.

Please be sure that both the magazine and the chamber are empty before shipping.

**ANY FIREARMS RECEIVED IN A LOADED CONDITION MUST BE REPORTED TO THE FEDERAL AUTHORITIES.**

NOTE: WHEN SHIPPING FIREARM, PLEASE PACKAGE FIREARM IN AN INCONSPICUOUS MANNER

Wear Safety Glasses and Ear Protection at all times when shooting



## .45 ACP BACKUP D.A.O. PARTS LIST

PART NO.	PART NAME	RETAIL PRICE
45DAO-1	Frame (Factory Only)	135.00
45DAO-2	Slide	45.00
45DAO-3	Magazine Catch	8.00
45DAO-4	Hammer	12.00
45DAO-5	Trigger (including Trigger Bar Pin)	7.00
45DAO-6	Extractor	7.00
45DAO-7	Firing Pin	6.00
45DAO-8	Extractor Pin	1.00
45DAO-9	Recoil Pin	4.00
45DAO-10	Hammer Strut Pin	1.00
45DAO-11	Hammer Pivot Pin	1.50
45DAO-12	Magazine Latch Pin	1.00
45DAO-13	Grip Screws (qty 4)	ea. .60
45DAO-15	Trigger Pivot Pin	1.00
45DAO-16	Takedown Pin	3.00
45DAO-17	Firing Pin Stop Pin	1.00
45DAO-18	Recoil Spring	2.50
45DAO-19	Hammer Spring	2.50
45DAO-20	Trigger Bar Spring	3.00
45DAO-21	Firing Pin Spring	1.50
45DAO-22	Extractor Spring	1.50
45DAO-23	Ejector	2.50
45DAO-24	Hammer Strut	6.00
45DAO-25	Magazine Assembly, Complete	26.00
45DAO-26	Trigger Bar	10.00
45DAO-27	Grip Set (1-Right, 1-Left)	7.50
45DAO-29	Barrel	60.00
45DAO-30	Firing Pin Lock Lever	4.00
45DAO-31	Firing Pin Lock Spring	.50
45DAO-32	Firing Pin Lock	4.50
45DAO-33*	Hammer Spacer	1.00
<b>SHIPPING AND HANDLING CHARGE</b>		<b>4.00</b>

\*Note: Part 45DAO-33 used as required in .45 D.A.O. Backups with serial numbers lower than 21,000

To order parts, add \$4.00 shipping & handling charge plus applicable sales tax (California residents only)

Check or Money Order Accepted **DIF**  
Telephone Orders Are Not Accepted

PLEASE MAIL ORDERS (including shipping and handling charge and applicable sales tax) to:  
ARCADIA MACHINE & TOOL, INC., ATTN: Parts Department., 6226 Santos Diaz St., Irwindale,  
CA 91702

Wear Safety Glasses and Ear Protection at all times when shooting

## INSTRUCTIONS FOR USE

**WARNING: THE BACKUP D.A.O. PISTOL WILL FIRE WITHOUT THE MAGAZINE IN THE GUN IF A ROUND OF AMMUNITION IS IN THE CHAMBER.**

### TO LOAD THE BACKUP D.A.O.

1. While pointing the BACKUP D.A.O. in a safe direction and while keeping your finger off the trigger, remove the magazine from the BACKUP D.A.O.
2. With the BACKUP D.A.O. pointing in a safe direction and without touching the trigger, pull the slide back and verify a round of ammunition is not in the chamber. If a round is in the chamber, eject the round by pulling the slide all the way back.
3. Insert up to five rounds of new .45 ACP caliber ammunition, manufactured by a reputable and established company, in the magazine. **DO NOT USE RELOADED AMMUNITION.** Cartridges should only be fed from the magazine. **NEVER LOAD CARTRIDGES DIRECTLY INTO THE CHAMBER.**
4. Load the magazine by placing the rim of a cartridge (round of ammunition) on top of the follower and press down while slipping the cartridge rim back under the lips of the magazine.
5. Push magazine, with the bullets facing the muzzle, into the magazine well until it locks into place.
6. **DO NOT PULL SLIDE BACK UNTIL READY TO SHOOT. DO NOT CARRY THE BACKUP D.A.O. WITH A ROUND IN THE CHAMBER.**

### TO SHOOT THE BACKUP D.A.O.

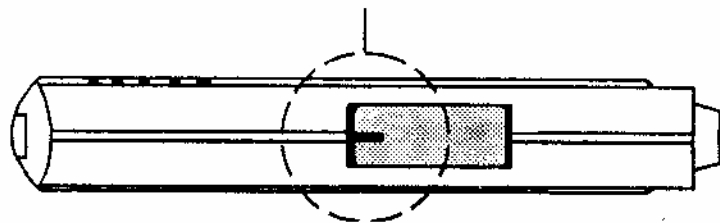
**WARNING: THE BACKUP D.A.O. HAS NO EXTERNAL SAFETIES. NEVER DEPEND ON ANY MECHANICAL DEVICE AS AN EXCUSE FOR UNSAFE HANDLING OR POINTING OF THE FIREARM. THE BACKUP D.A.O. PISTOL WILL FIRE WITHOUT THE MAGAZINE IN THE GUN IF A ROUND OF AMMUNITION IS IN THE CHAMBER.**

1. **WEAR SAFETY GLASSES AND HEARING PROTECTION WHEN SHOOTING THE BACKUP D.A.O. PISTOL.**
2. While pointing the BACKUP D.A.O. in a safe direction and without touching the trigger, pull the slide all the way back to cause a round to enter the chamber. Continue to observe basic safety precautions. The gun may now be fired by pulling the trigger. Subsequent shots may be fired by pulling the trigger for each shot desired.

Wear Safety Glasses and Ear Protection at all times when shooting

3. Immediately after you've finished firing the gun, perform the procedure TO UNLOAD THE BACKUP D.A.O. As a quick check only, check the loaded chamber inspection window to verify the chamber is empty.

### LOADED CHAMBER INSPECTION WINDOW



### TO UNLOAD THE BACKUP D.A.O.

**IF YOU ENCOUNTER ANY PROBLEM WITH THE GUN, UNLOAD IT AS DESCRIBED BELOW AND RETURN IT TO THE FACTORY FOR INSPECTION AND REPAIR. REFER TO SERVICE INSTRUCTIONS IN THIS MANUAL.**

1. ***THE BACKUP D.A.O. PISTOL WILL NOT STAY OPEN AFTER THE LAST SHOT.***
2. While pointing the BACKUP D.A.O. in a safe direction and while keeping your finger off the trigger, remove the magazine from the BACKUP D.A.O.
3. With the BACKUP D.A.O. pointing in a safe direction and without touching the trigger, pull the slide back and verify a round of ammunition is not in the chamber. If a round is in the chamber, eject the round by pulling the slide all the way back.
4. When you have ensured the chamber is empty, lower the slide to its forward position.

### CLEARING A JAM

1. In the event that a cartridge "jams" or does not feed into the chamber, do not force the slide shut.
2. ***KEEP FINGER OFF OF TRIGGER.*** Be sure the muzzle is pointed in a safe direction.
3. Carefully remove the magazine. Pull the slide to its extreme rear position.
4. ***NEVER INSERT ANYTHING IN THE BARREL TO REMOVE CARTRIDGE.*** If drawing the slide all the way back does not pull the cartridge along with it, use a small wood or plastic dowel, sharpened on

Wear Safety Glasses and Ear Protection at all times when shooting

one end, at the chamber to gently remove the cartridge from the chamber and ejection port. Do not use a metal tool.

5. Carefully inspect the pistol to be sure that a cartridge did not become lodged in the magazine well of the grip frame.

### TO DISASSEMBLE

1. It is not necessary to disassemble the BACKUP D.A.O. for normal cleaning and lubricating. Refer to CARE AND CLEANING.
2. While pointing the BACKUP D.A.O. in a safe direction and while keeping your finger off the trigger, remove the magazine from the BACKUP D.A.O.
3. With the BACKUP D.A.O. pointing in a safe direction and without touching the trigger, pull the slide back and verify a round of ammunition is not in the chamber. If a round is in the chamber, eject the round by pulling the slide all the way back.
4. Pull slide back and lineup cutout in slide with the takedown pin. Push pin out to the left, then remove the slide assembly off the frame towards the front.
5. Remove recoil rod and spring, then remove barrel from slide. Further disassembly is not necessary and may void warranty.

### TO ASSEMBLE

1. Install barrel into slide from bottom, then install recoil rod and spring into slide.
2. Install slide assembly onto frame.
3. Pull slide back even with back of the frame and push take down pin in until it contacts slide. Pull slide back to cutout and push takedown pin into counter bore.
4. Check for proper functioning before loading.

Wear Safety Glasses and Ear Protection at all times when shooting

## CARE AND CLEANING

Your **AMT** BACKUP D.A.O. pistol should be cleaned at frequent intervals. Frequency of cleaning depends upon the frequency of use of the pistol. Accumulation of powder fouling in the breech and chamber area may affect the functioning of the pistol causing jamming or misfiring. If these conditions develop, clean the pistol. Some foreign brands of ammunition use corrosive primers which necessitate cleaning of the barrel and slide with hot water prior to the cleaning recommended below.

**WARNING: ENSURE THE PISTOL IS NOT LOADED BY REMOVING THE MAGAZINE AND VISUALLY CHECKING THE CHAMBER TO ENSURE THE CHAMBER IS EMPTY.**

To clean the BACKUP D.A.O. without disassembly, pull the slide back all the way to the rear position. Insert a cleaning rod with a solvent-coated patch through the bore and chamber, then run clean, dry patches through until a patch comes out clean.

If the BACKUP D.A.O. is partially disassembled for cleaning, scrub or wipe clean all areas of the breech, slide, magazine, chamber and bore with a cleaning patch wetted with a gun cleaning solvent. After all areas have been thoroughly cleaned, wipe again with lightly oiled cloth.

After cleaning BACKUP D.A.O., lubricate slide rails and outside diameter of barrel where it rides in front of the slide with Firepower FP-10.

## PARTS AND ORDERING

**AMT** accepts parts orders only through the mail. All parts orders should be sent to the attention of the Parts Department. Parts orders shall include shipping and handling charge and applicable sales tax (California residents only).

When ordering parts, specify Model Name, Part Name, and Part Number. Also include the complete serial number of the firearm.

Parts designated by an (\*) asterisk may be sold to federally licensed gun dealers only and will be replaced on an exchange basis only. The replaced parts will not be returned to you.

The prices shown on the parts list do not include labor, shipping and sales tax, if applicable, and are subject to change without notice.