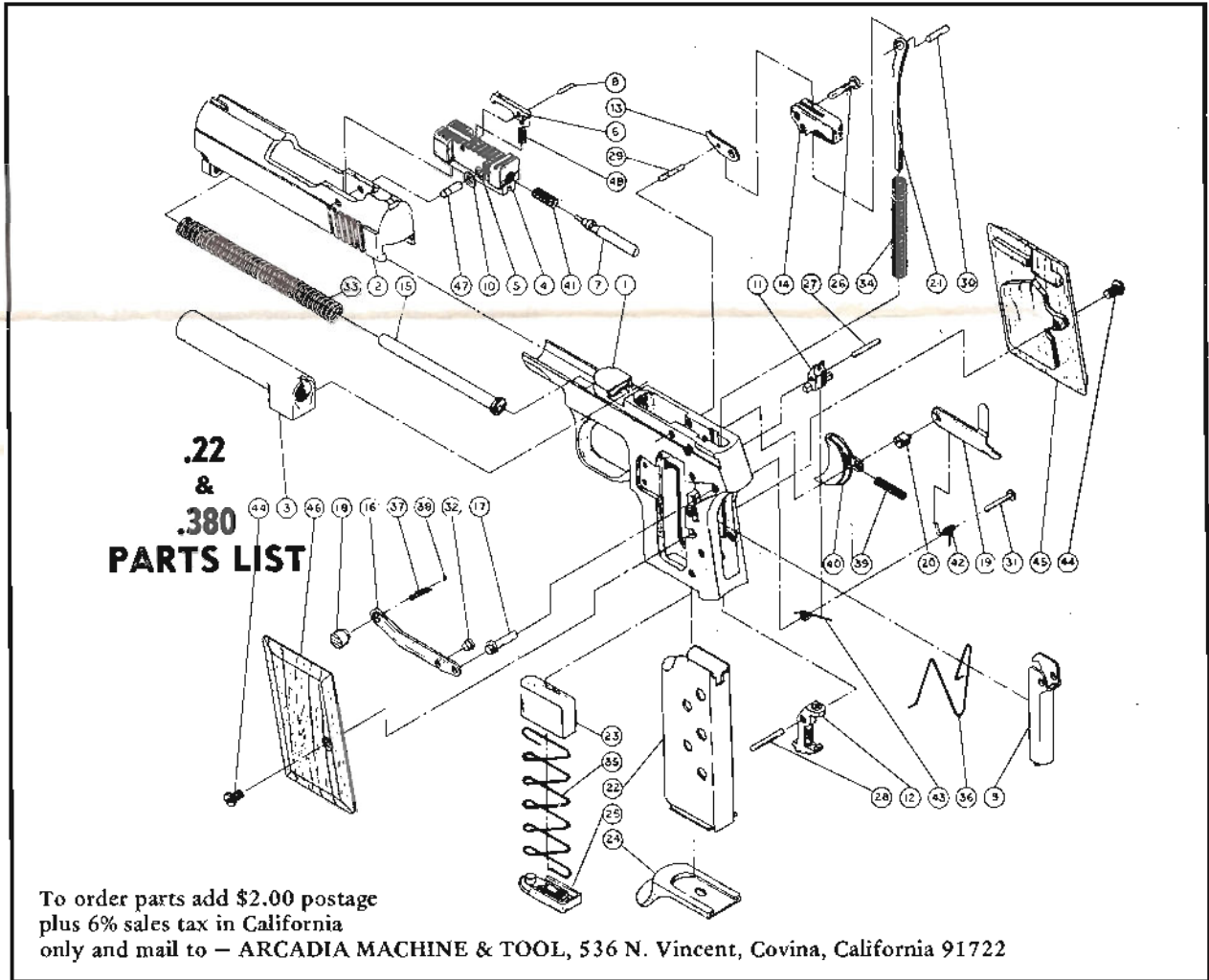




.22/.380 BACKUP MANUAL

PARTS – INSTRUCTIONS FOR USE – WARRANTY – MAINTENANCE



**.22
&
.380
PARTS LIST**

To order parts add \$2.00 postage plus 6% sales tax in California only and mail to – ARCADIA MACHINE & TOOL, 536 N. Vincent, Covina, California 91722

Effective: January, 1982
Prices subject to change without notice.

RETAIL PRICE LIST

* 2	Slide	31.55
* 3	Barrels (factory installation)	45.00
* 4	Bolt	18.90
5	Snap Ring	.75
* 6	Extractor	4.75
* 7	Firing Pin	3.75
* 8	Extractor Pin	.75
9	Arch Housing	15.00
10	Washer	.70
11	Sear	11.00
12	Magazine Latch	7.70
*13	Ejector	1.55
*14	Hammer	10.00
15	Recoil Rod	3.20
16	Safety	completely assembled 10.00
17	Safety Pin	
18	Safety Knob	complete unit 3.50
19	Disconnecter	
20	Disconnecter Pin	
21	Strut	4.70
26	Hammer Pin	.75

27	Sear Pin	.75
28	Magazine Latch Pin	.75
29	Ejector Pin	.75
30	Hammer Strut Pin	.75
31	Sear Disconnecter Spring Pin	.40
32	Safety Stop Pin	N/A
*33	Recoil Spring	1.50
34	Hammer Spring	.40
*35	Magazine Spring	2.00
36	Arch Housing Spring	1.25
37	Safety Spring	see Safety number 16
38	Safety Spring Ball	
39	Trigger Spring	.50
40	Trigger	5.50
*41	Firing Pin Spring	.40
42	Disconnecter Spring	.70
43	Sear Spring	.45
44	Grip Screw	.45
45	Grips (Black Plastic)	5.00
46	Bolt Retaining Pin	.80
47	Extractor Spring	.40
*48	Extractor Plunger (.22 Cal. Only)	.75
*49	Curve Magazine Assembly	14.00
	Flat Magazine Assembly	12.50

*Please indicate caliber when ordering these parts.

SPECIFICATIONS

Size: 4.250" x 3.480"
Weight: 18 Ounces
Magazine Capacity:
.22 8
.380 5

Barrel Length: 2½ Inches
Caliber22 L.R. — .380
Grips: Lexon

SAFETY

The .22 or .380 caliber AMT Backup pistol is designed to provide the maximum security against accidental discharge. However, as is the case in all firearms, the Backup pistol must be used with strict attention to the basic rules of firearms safety.

These rules are fundamental to safe and responsible firearms ownership and use. The more you come in contact with firearms, the more faithfully you should be to these elementary rules:

1. Always check to be sure that the Backup is unloaded prior to handling.
2. Never point the muzzle at *anything* that you do not wish to shoot. (Most accidents are the result of careless people pointing firearms that they thought were unloaded.)
3. Be sure of the backstop direction of fire, before shooting.
4. Use extreme caution when carrying the Backup. **DO NOT CARRY IT WITH A LIVE ROUND IN THE CHAMBER. IF YOU DO SO, IT IS AT YOUR OWN RISK.**

A simple reliable safety is provided. However, all mechanical devices can fail, and there is NO safety that can prevent accidents caused by careless or thoughtless handling or poor maintenance.

SERVICE

Each Backup is carefully inspected and test-fired, to insure that it is in proper operating condition, prior to shipment. Should your Backup require adjustment, repair or refinishing, we recommend that the weapon be returned directly to the factory service department. There is no other way to insure that repairs are made in a properly equipped and staffed repair facility.

Failure to use the factory services could result in **VOIDING YOUR WARRANTY.**

If the warranty on your AMT Backup has expired, there will be charges for replacement parts and labor charges.

Except for guns still in warranty, any work performed will bear a net minimum labor charge of 15.00.

All weapons returned for repairs are to be sent to the attention of the Service Department.

For best repair service always enclose a letter with the returned firearm, furnishing

serial number and model of gun and state nature of trouble experienced or work desired. A statement that the gun is defective or to be repaired is not adequate and will only result in unneeded delays.

Guns shipped to the service department must be sent prepaid. All collect shipments will be refused.

Federal regulations control the shipment of firearms. It may be impossible for the factory to return a firearm to an individual; therefore, it is recommended that all firearms be sent through a federally licensed firearms dealer.

Please insure that both the magazine and chamber of all returned weapons are empty before shipping. Any firearms received in a loaded condition must be reported to the federal authorities.

INSTRUCTIONS FOR USE

To Load and Fire

Magazine capacity is 8 rounds in .22 cal., 5 rounds in .380 cal.

To fire the weapon, place thumb safety in upper or safe position. Insert magazine in butt of frame until secured by magazine latch. Press magazine in place — do not drive in forcibly as this may, in time, cause distortion of magazine lips and result in malfunctions. Draw slide all the way to the rear and release. The pistol may now be fired by simply placing the thumb safety in lower or fire position and pulling the trigger. Subsequent shots may be fired by pulling the trigger for each shot desired.

PLEASE note that the Backup is equipped with a grip safety. This is a valuable safety feature; in that the grip safety must be depressed in order to fire the gun.

When unloading a loaded pistol, put thumb safety in upper or safe position. Push magazine latch to the rear and remove magazine. Draw slide to the rear and check that the cartridge is extracted from the chamber.

A NOTE ON AMMO AND MAGAZINES

.380 Auto

Today there exists a wide range of .380 auto ammunition from which to choose. Some brands vary greatly in dimensions and bullet configurations. Your AMT .380 Backup is

designed to function with hardball ammo. If you choose to shoot hollow point ammo, it may be necessary to increase the distance between the feed lips of the magazine. This allows the cartridge to engage the feed ramp properly.

Opening the feed lips can be accomplished quickly and easily with an ordinary pair of pliers. The lips of the magazine are grasped by the pliers, one at a time, and spread open approximately the thickness of the metal.*

* *This procedure applies only to .380 caliber Backups.*

.22 Auto

For best results we recommend the use of good quality .22 long rifle *high speed* ammunition.

After shooting several brands of ammo, you will be able to determine which brand shoots best in your weapon.

TO DISASSEMBLE

1. Remove magazine.
2. Inspect chamber to assure that weapon is not loaded.
3. Drive out bolt retaining pin from *left to right*.
4. Pull slide back slightly and insert an ordinary paper clip between bolt and breech of barrel.
5. With gun upside down, insert brass or aluminum rod into magazine well and drive bolt out of the slide.
6. If hammer is cocked, slide will not fall forward enough to release from frame. To drop the hammer and release slide, pull slide back to normal position and pull trigger (slide should fall forward), then lift slide off of frame.

No further disassembly is recommended, as the pistol may be properly cleaned and lubricated when field stripped as described above.

TO ASSEMBLE

1. Cock the hammer.
2. Replace recoil rod and spring into recoil rod hole in frame.
3. Insert front of recoil spring into spring hole at front of slide.
4. Pull slide back over the barrel, then down and back past the cocked hammer.
5. Pull slide back slightly so bolt can be inserted into top of slide. Once bolt is started into side, it will be necessary to insert paper clip, as before, to separate the breech of the barrel from the front of the bolt.
6. Drive bolt back into slide until retaining pin holes in slide and bolt are aligned. (Use a soft face hammer to avoid damaging top of bolt or slide).
7. Replace bolt retaining pin from *left to right*.
8. Check for proper functioning.

CARE AND CLEANING

Your AMT Backup should be field stripped and cleaned at reasonably frequent intervals, to insure proper functioning.

WARNING:

The use of solvents for cleaning your Backup may damage the lexan grips, follower, and floor plate of this weapon. You may want to remove the grips if you are uncertain of the contents of solvent used.

After cleaning, lubricate sparingly with a medium weight synthetic oil, such as Break-Free CLP.

NOTICE

THE BACKUP INCORPORATES BOTH A GRIP SAFETY AND MANUAL SAFETY. ALTHOUGH THESE FEATURES ARE PROPERLY DESIGNED AND FITTED, NEVER DEPEND ON THEM OR ANY MECHANICAL DEVICE AS AN EXCUSE FOR UNSAFE HANDLING OR POINTING OF THE FIREARM.



WARRANTY

If the purchaser completely fills out WARRANTY CARD furnished within 15 days and returns to the manufacturer, the Company for a period of one year from date of registered purchase will, at its option, repair or replace without charge the gun or any part thereof, provided it is returned prepaid to a designated warranty repair center and it is determined by the Company in its sole discretion to be defective due to faulty material or improper workmanship. This constitutes the sole and exclusive remedy for breach of any warranty, expressed or implied, and supersedes any other warranties and commitments. This warranty is voided by the use of hand-loaded or reloaded ammunition. A \$5.00 handling charge must be included with the returned merchandise for shipping and handling.

STATEMENT OF LIABILITY

This gun is classified as a FIREARM or DANGEROUS WEAPON and is surrendered by the Company with the express understanding that it assumes no liability to any person other than the purchaser registered with the selling dealer, no liability resulting from unsafe handling, no liability arising from conduct constituting a violation under any applicable laws or regulations, nor any other liability except as expressly provided in the above warranty. The Company shall not be liable for personal injury or injury to property resulting from (a) intentional, reckless, negligent or accidental discharge; (b) the function of any gun subjected to influences beyond its control which may result from careless handling, improper usage, corrosion or neglect; (c) unauthorized adjustments, repairs or alterations made outside of its warranty repair center; (d) the incorporation of any part not of its manufacture; or (e) defective, improper or reloaded ammunition. The Company will not be liable for any injury or damages to any person arising out of use of this gun in hunting dangerous game, combat, civil defense or police activities. This statement of liability supersedes any other statements of liability, whether expressed or implied.



Cut on dotted line, fill in and return for WARRANTY purposes within 15 days.

Make & Model _____ S/N _____ Purchase Date _____
Name _____ Dealer _____
Address _____ Address _____
City, State, Zip _____ City, State, Zip _____